

## GD28 Padlockable Over-Centre Draw Latch

### Features

- Steel over-centre catches with loop for padlock and hooked striker plate
- Two body lengths are available as shown, with maximum 'draw' of 20 mm

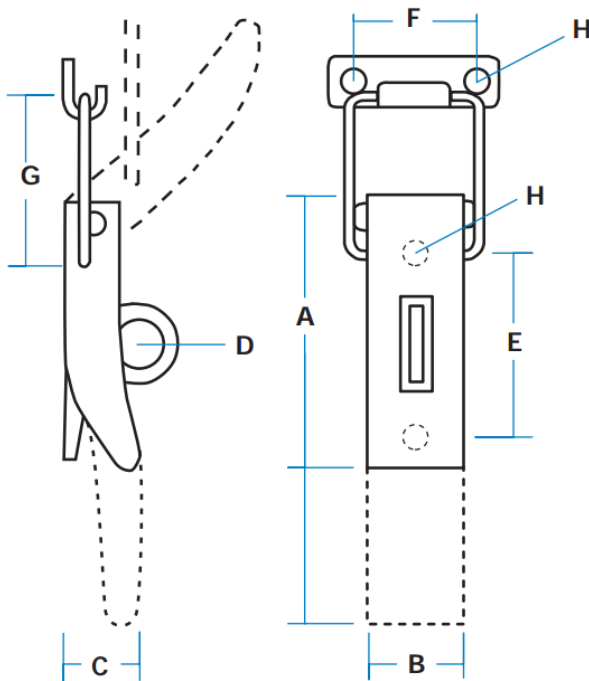
### Material

- Steel, clear zinc plated



**GD28-G00285**  
(Short draw latch  
& striker plate)

**GD28-G00284**  
(Long draw latch  
& striker plate)



Part No.	Type	A	B	C	D	E	F	G (Max. Open)	G (Max. Closed)	H
<b>GD28-G00284</b>	Long	130	25	20	10	34	32	80	60	5
<b>GD28-G00285</b>	Short	66						52	42	